

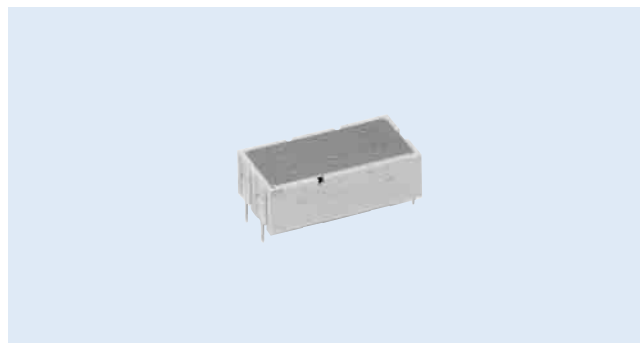
## Ceramic Gyro

### Outline

Miniature angular rate sensors with a very simple construction are made of a single piezoelectric ceramic column printed with electrodes. High reliability is achieved by using Tokin's high performance piezoelectric ceramics.

### Features

- Miniature size
- High-speed response
- Magnetic field proof



### Applications

- Shake detector for hand-held video cameras, cameras, and binoculars
- Gyroscope in radio-controlled helicopters
- Data entry equipment such as a mouse

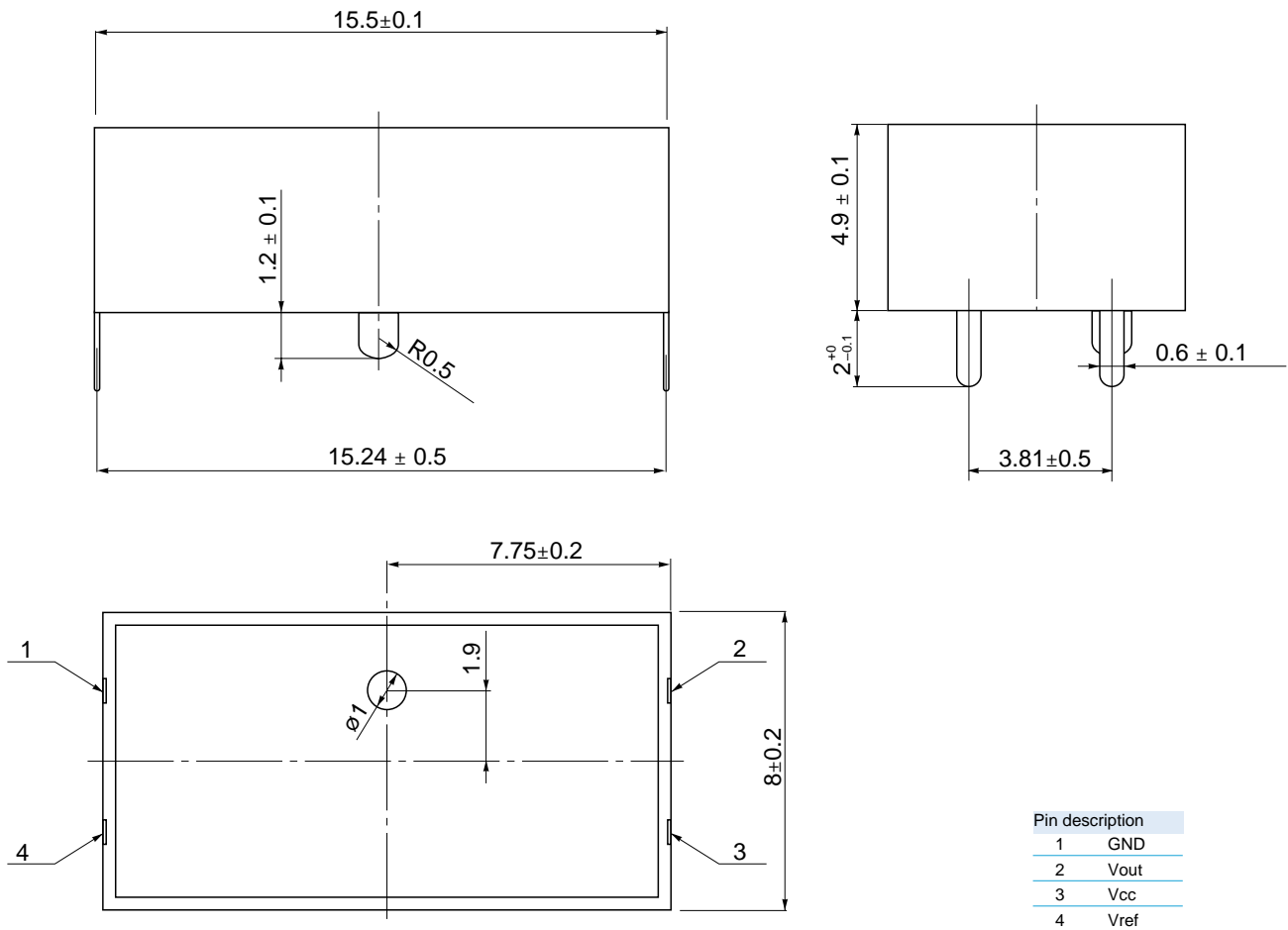
### Specifications

Model	Supply voltage (V)	Reference voltage output (V)	Current consumption (mA)max.	Maximum detectable angular rate (deg/sec) 25 °C	Sensitivity (mV/deg/sec) 25 °C	Output voltage at zero angular rate (mV)max.		Temperature characteristics of sensitivity (%)	Frequency response (Hz)min. -90deg	Dimensions (mm)
						25 °C	Any temperature			
CG-L43	+3	+1.3	4	±90	0.66±20%	±300	±500	±15	100	8×16×5

\* Operating temperature range : -5~75°C

\* Storage temperature range : -40~80°C

## Shapes and Dimensions



[mm]

## Precautions



- The names of the products and the specifications in this catalog are subject to change without notice for the sake of improvement. The manufacturer also reserves the right to discontinue any of these products. At the time of delivery, please ask for specifications sheets to check the contents before use.
- Descriptions in this catalog regarding product characteristics and quality are based solely on discrete components. When using these components, be sure to check the specifications with the component in question mounted on the products.
- The manufacturer's warranty will not cover any disadvantage or damage caused by improper use of the products that deviates from the characteristics, specifications, or conditions for use described in this catalog.
- The products in this catalog are intended for use in ordinary electronic products. If any of these products are to be used in special applications requiring extremely high reliability, where product defects might pose a safety risk, please consult your TOKIN sales representatives.
- Though the manufacturer has taken all possible precautions to ensure the quality and reliability of its products, improper use of products may result in bodily injury, fire, or similar accidents. If you have any questions regarding the use of these products, please consult your TOKIN sales representatives.
- Please be advised that the manufacturer accepts no responsibility for any infringement by users of the manufacturer's products on third party patents or industrial copyrights. The manufacturer is responsible only when such infractions are attributable to the structural design of the product and its manufacturing process.
- Should any of these products be considered as strategic goods, and thereby governed by foreign exchange or foreign trade regulations, the Government of Japan will require an export license before said products can be exported from Japan.
- This catalog is current as of June 2001.

<http://www.tokin.co.jp/>

# TOKIN

International Business Headquarters

Phone: 81-3-3402-6179  
 Hazama Bldg., 5-8, Kita-Aoyama 2-chome, Minato-ku,  
 Tokyo 107-8620, Japan

Seoul Branch Phone: 82-2-551-3651  
**Token America Inc.** Phone: 1-510-324-4110  
 Eastern Area Sales (Chicago Office) Phone: 1-847-215-8802  
 Southwest Regional Sales (San Diego Office) Phone: 1-858-784-0200  
 Southeast Regional Sales (Tampa Office) Phone: 1-813-281-1183  
**Token Electronics (HK)Ltd.** Phone: 852-2730-0028  
 Shanghai Representative Office Phone: 86-21-6415-0612

**Token Singapore Pte.Ltd.** Phone: 65-223-7076  
 Malaysia Branch Phone: 60-3-62010702  
 Bangkok Representative Office Phone: 66-2-260-7017  
**Taiwan Tokin Technology Co.,Ltd.** Phone: 886-2-2521-3998  
**Token Europe GmbH** Phone: 49-2131-1866-0  
**Token UK Ltd.** Phone: 44-1506-413006  
 Cardiff Branch Phone: 44-29-20-786682